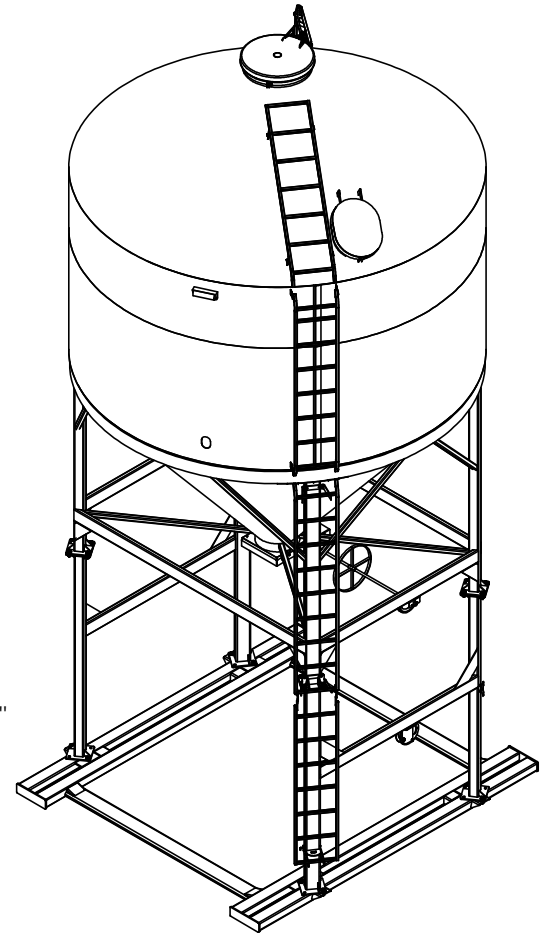
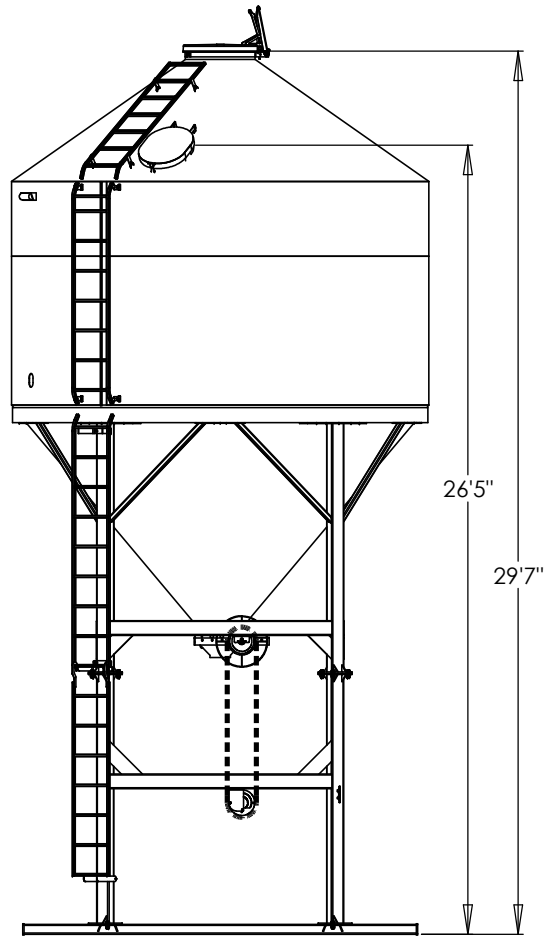
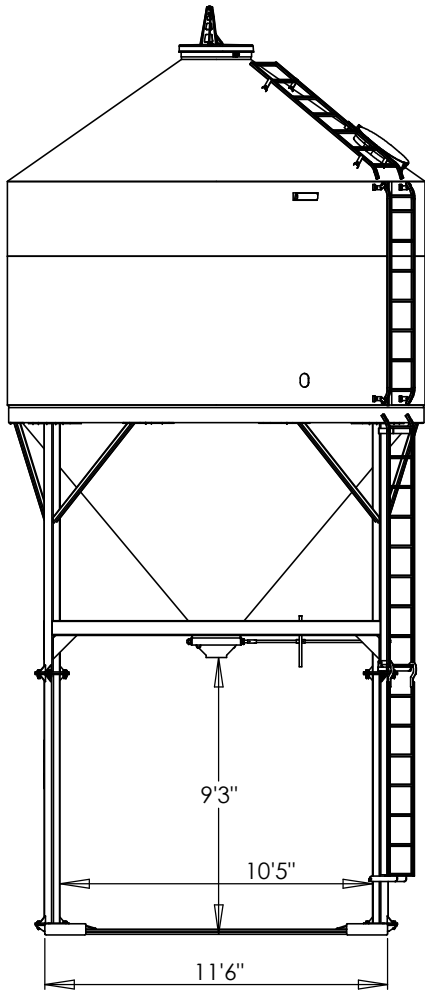


8 7 6 5 4 3 2 1

D  
C  
B  
A



D  
C  
B

8 7

**PROPRIETARY AND CONFIDENTIAL**  
 THE INFORMATION CONTAINED IN THIS DRAWING IS THE SOLE PROPERTY OF AMBER WAVES INC. ANY REPRODUCTION IN PART OR AS A WHOLE WITHOUT THE WRITTEN PERMISSION OF AMBER WAVES INC. IS PROHIBITED.

DRAWN	NAME	DATE	<b>Amber Waves Inc.</b> Richardton, ND
BCS	3/13/2017		
CHECKED			DESCRIPTION: <b>1415 CAKE BIN</b>
MATERIAL			
FINISH	DIMENSIONS ARE IN INCHES TOLERANCES: FRACTIONAL $\pm 1/32$ " ANGULAR: MACH $\pm .5$ BEND $\pm 2.5$ TWO PLACE DECIMAL $\pm .05$ " THREE PLACE DECIMAL $\pm .005$ "		DWG. NO. <b>1415 CAKE BIN</b>
			SCALE:
			WEIGHT:
			REV.:
			SHEET 1 OF 1