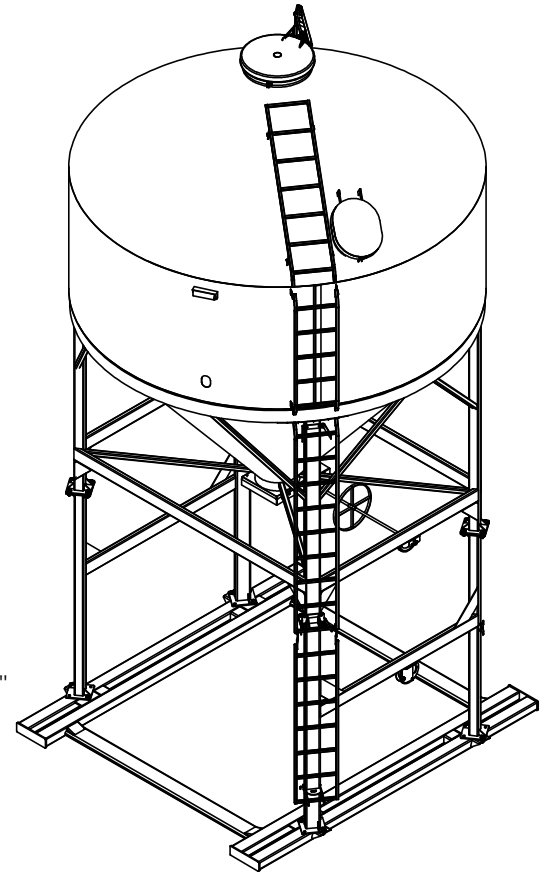
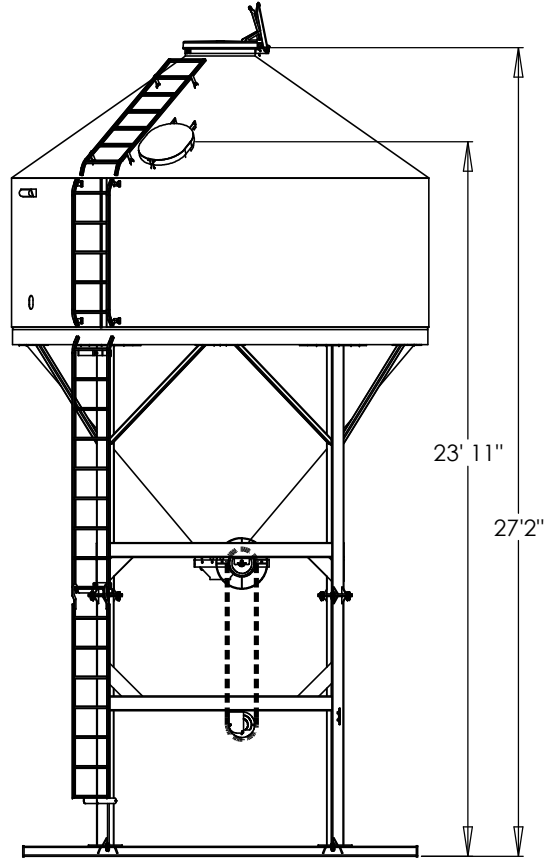
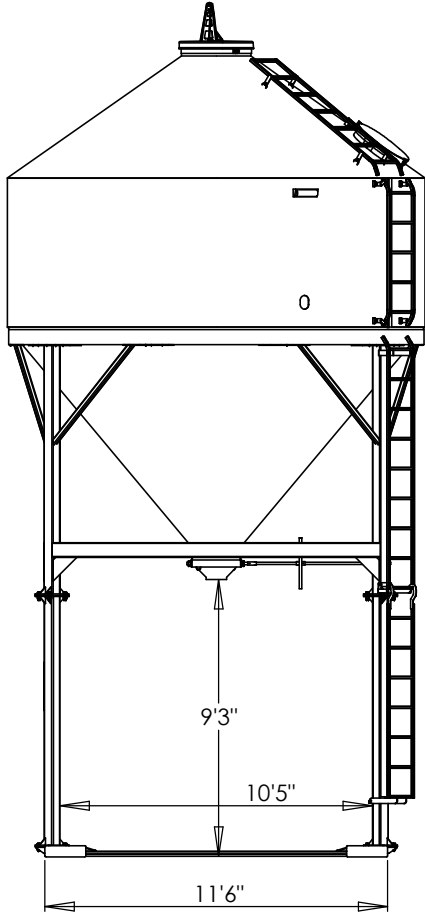


8 7 6 5 4 3 2 1

D
C
B
A



D
C
B

8 7

PROPRIETARY AND CONFIDENTIAL
 THE INFORMATION CONTAINED IN THIS DRAWING IS THE SOLE PROPERTY OF AMBER WAVES INC. ANY REPRODUCTION IN PART OR AS A WHOLE WITHOUT THE WRITTEN PERMISSION OF AMBER WAVES INC. IS PROHIBITED.

DRAWN	NAME	DATE	Amber Waves Inc. Richardton, ND
BCS	3/13/2017		
CHECKED			DESCRIPTION 1410 CAKE BIN DWG. NO. 1410 CAKE BIN SCALE: WEIGHT: SHEET 1 OF 1
MATERIAL			
FINISH			
DIMENSIONS ARE IN INCHES TOLERANCES: FRACTIONAL ± 1/32" ANGULAR: MACH ± .5 BEND ± 2.5 TWO PLACE DECIMAL ± .05" THREE PLACE DECIMAL ± .005"			