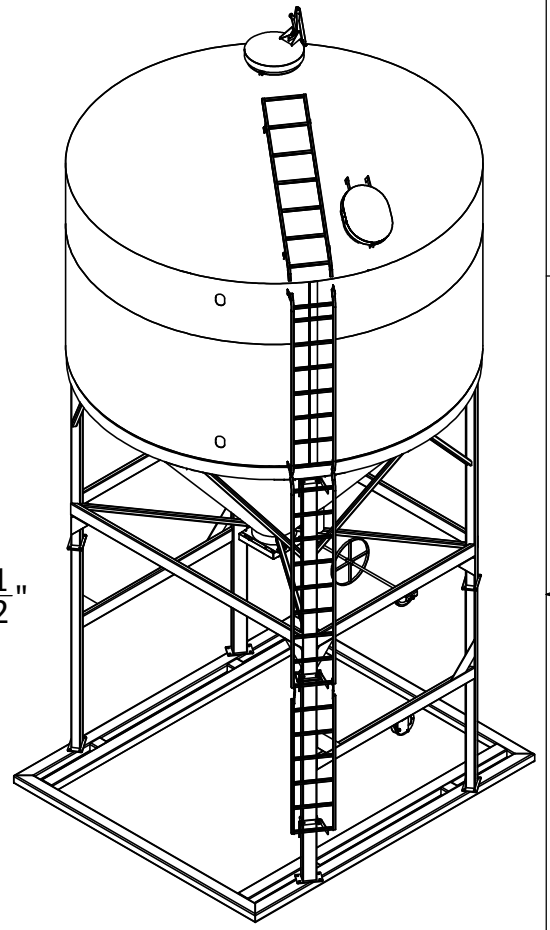
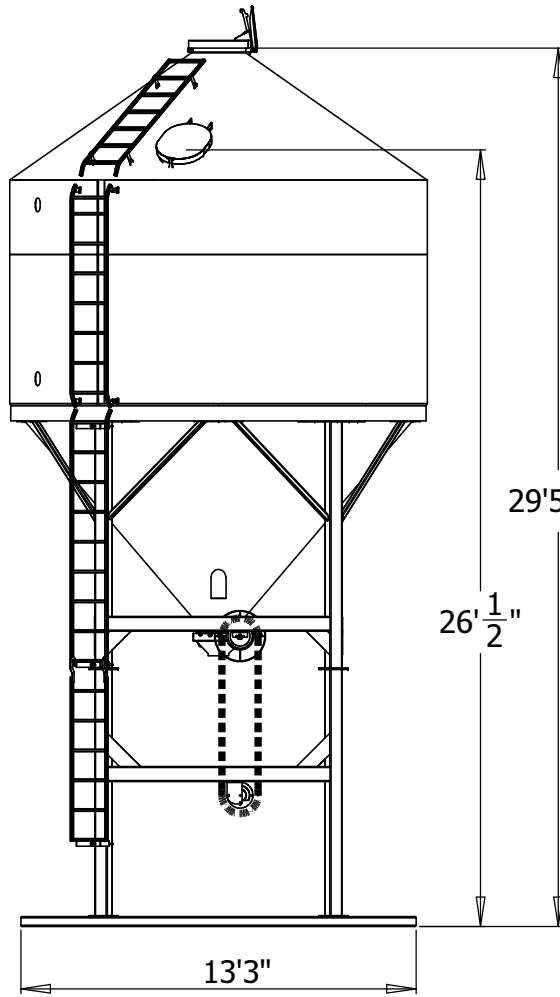
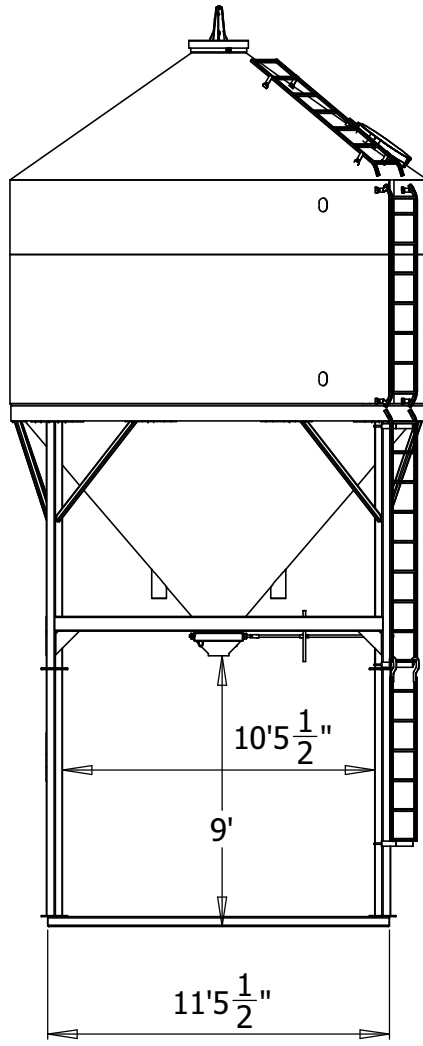


8 7 6 5 4 3 2 1

D
C
B
A



D
C
B

8 7

PROPRIETARY AND CONFIDENTIAL
 THE INFORMATION CONTAINED IN THIS DRAWING IS THE SOLE PROPERTY OF AMBER WAVES INC. ANY REPRODUCTION IN PART OR AS A WHOLE WITHOUT THE WRITTEN PERMISSION OF AMBER WAVES INC. IS PROHIBITED.

DRAWN	NAME	DATE	Amber Waves Inc. Richardton, ND
BCS		10/21/2014	
CHECKED			DESCRIPTION 1415 CAKE BIN
MATERIAL			
FINISH	DIMENSIONS ARE IN INCHES TOLERANCES: FRACTIONAL $\pm 1/32$ " ANGULAR: MACH $\pm .5$ BEND ± 2.5 TWO PLACE DECIMAL $\pm .05$ " THREE PLACE DECIMAL $\pm .005$ "		DWG. NO. 1415-CAKE-BIN
SCALE:			REV.
WEIGHT:			SHEET 1 OF 1