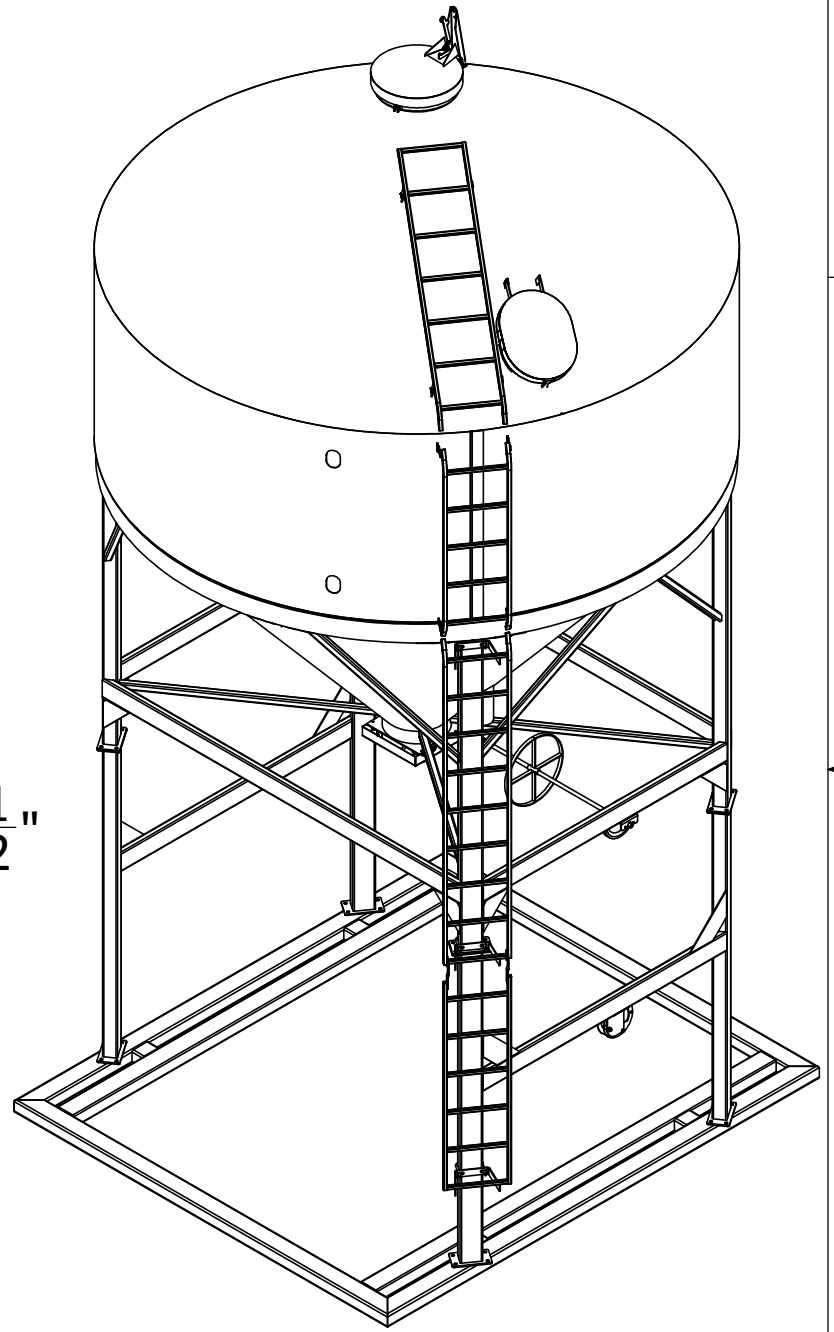
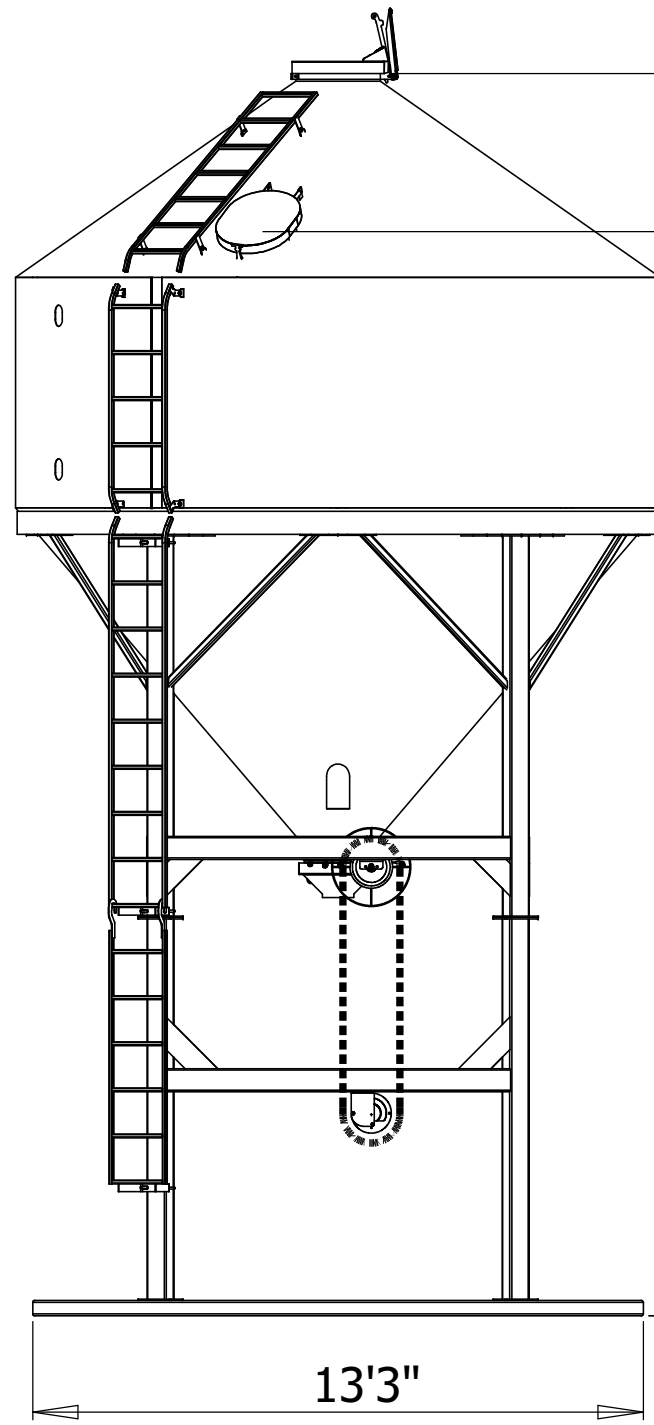
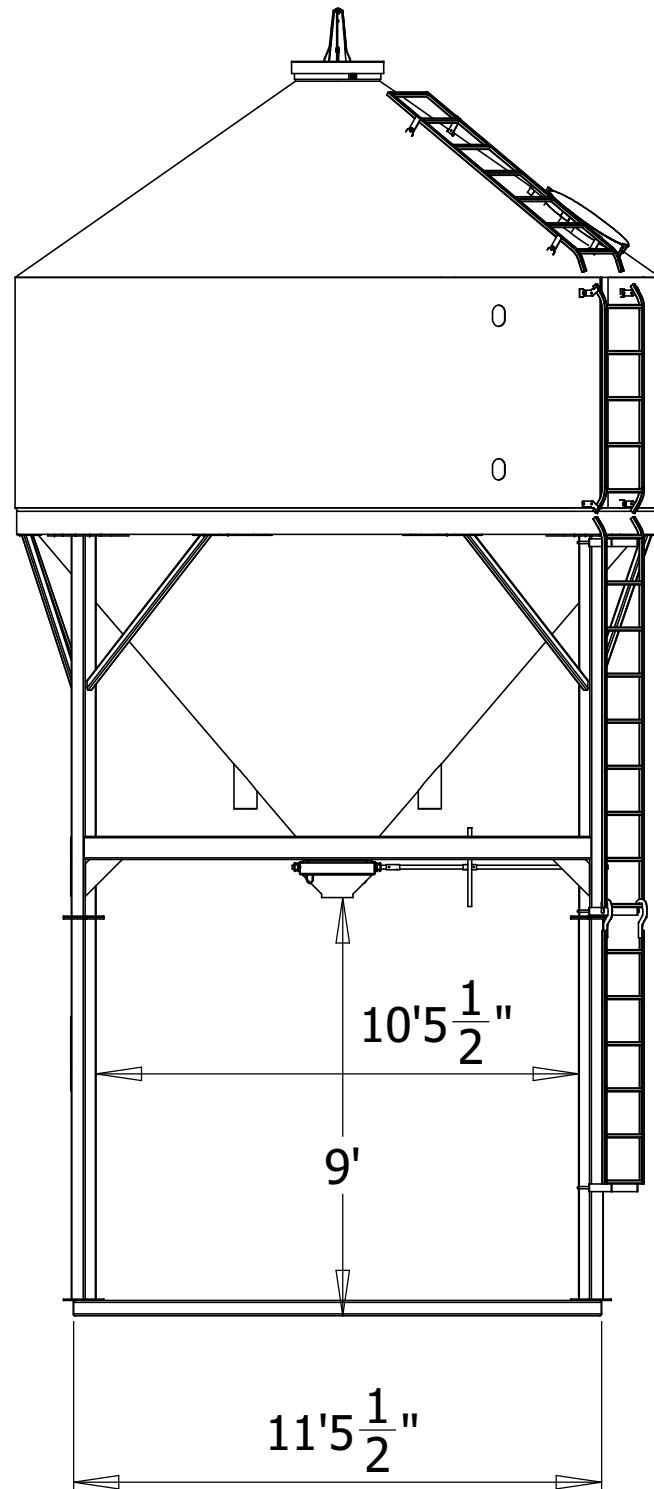


8 7 6 5 4 3 2 1

D  
C  
B  
A



26'11 1/2"

23'6 1/2"

13'3"

10'5 1/2"

9'

11'5 1/2"

**PROPRIETARY AND CONFIDENTIAL**  
 THE INFORMATION CONTAINED IN THIS DRAWING IS THE SOLE PROPERTY OF AMBER WAVES INC. ANY REPRODUCTION IN PART OR AS A WHOLE WITHOUT THE WRITTEN PERMISSION OF AMBER WAVES INC. IS PROHIBITED.

NAME	DATE
DRAWN BCS	10/21/2014
CHECKED	
MATERIAL	
FINISH	
DIMENSIONS ARE IN INCHES	
TOLERANCES:	
FRACTIONAL ± 1/32"	
ANGULAR: MACH ± .5	BEND ± 2.5
TWO PLACE DECIMAL ± .05"	
THREE PLACE DECIMAL ± .005"	

**Amber Waves Inc.**  
 Richardton, ND

DESCRIPTION  
**1410 CAKE BIN**

DWG. NO. 1410-CAKE-BIN	REV.
SCALE:	WEIGHT:
SHEET 1 OF 1	

8 7