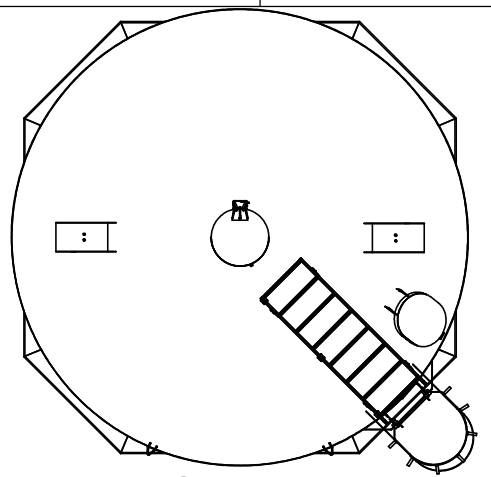


8 7 6 5 4 3 2 1

D
C
B
A

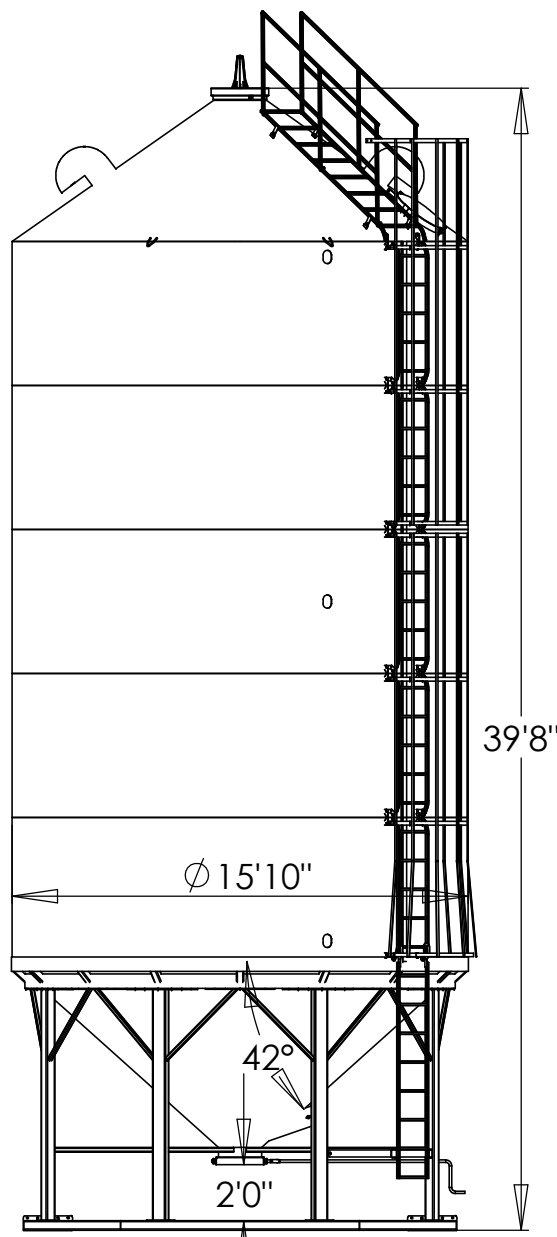
D
C
B



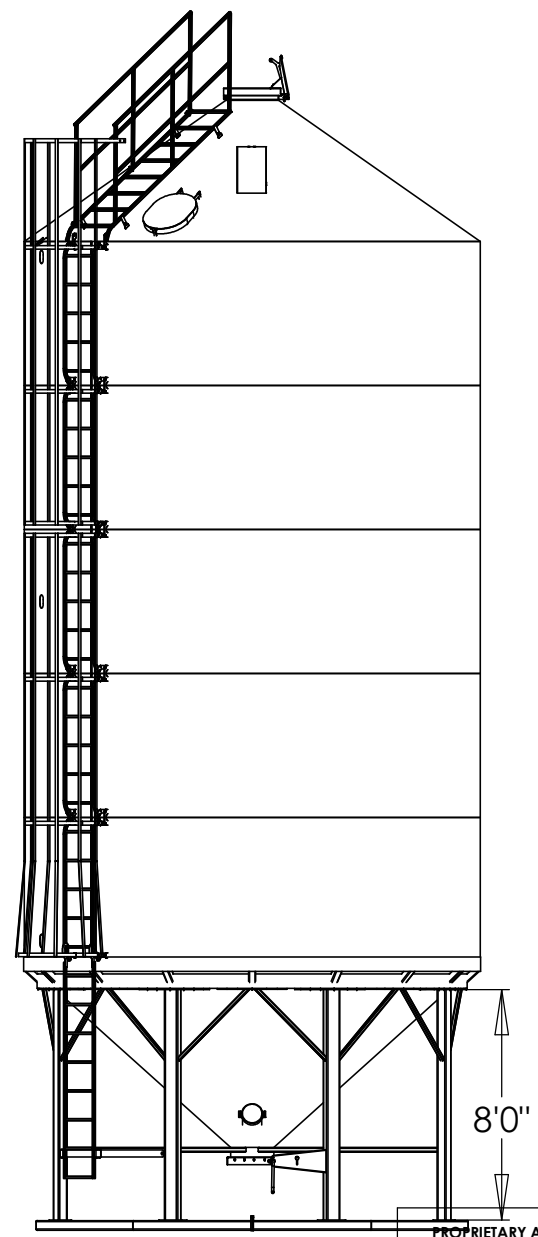
**TOP VIEW
FRONT DOWN**



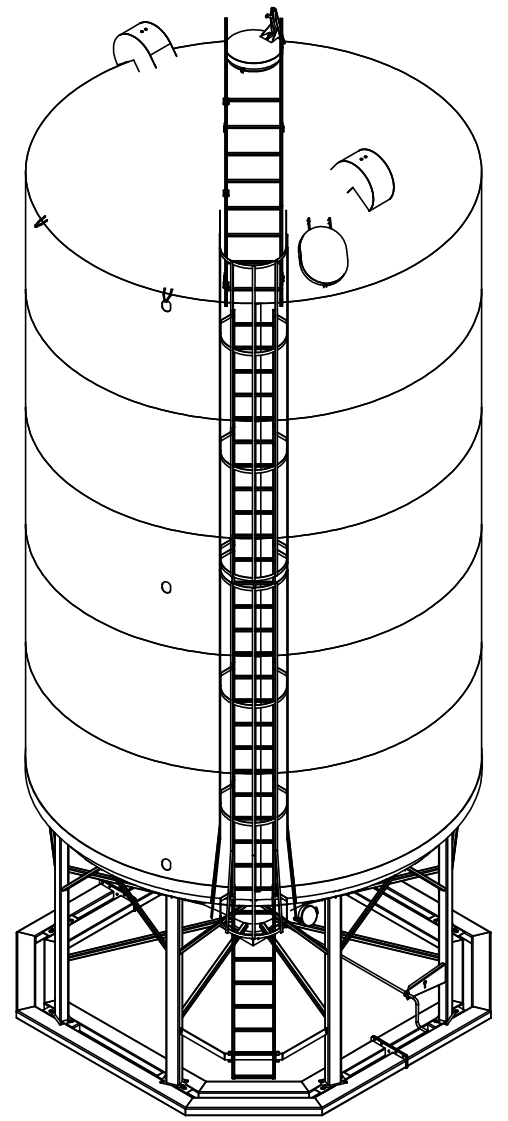
LHS VIEW



FRONT VIEW



RHS VIEW



ISO VIEW

PROPRIETARY AND CONFIDENTIAL
 THE INFORMATION CONTAINED IN THIS DRAWING IS THE SOLE PROPERTY OF AMBER WAVES INC. ANY REPRODUCTION IN PART OR AS A WHOLE WITHOUT THE WRITTEN PERMISSION OF AMBER WAVES INC. IS PROHIBITED.

DRAWN	BSC	DATE	9/2/2015
CHECKED			
MATERIAL			
FINISH			
DIMENSIONS ARE IN INCHES			
TOLERANCES:			
FRACTIONAL $\pm 1/32''$			
ANGULAR: MACH $\pm .5$ BEND ± 2.5			
TWO PLACE DECIMAL $\pm .05''$			
THREE PLACE DECIMAL $\pm .005''$			

Amber Waves Inc.
 Richardton, ND

DESCRIPTION:
1650 BIN
4800 BSH CAPACITY

DWG. NO.
STANDARD_BINDW 1650

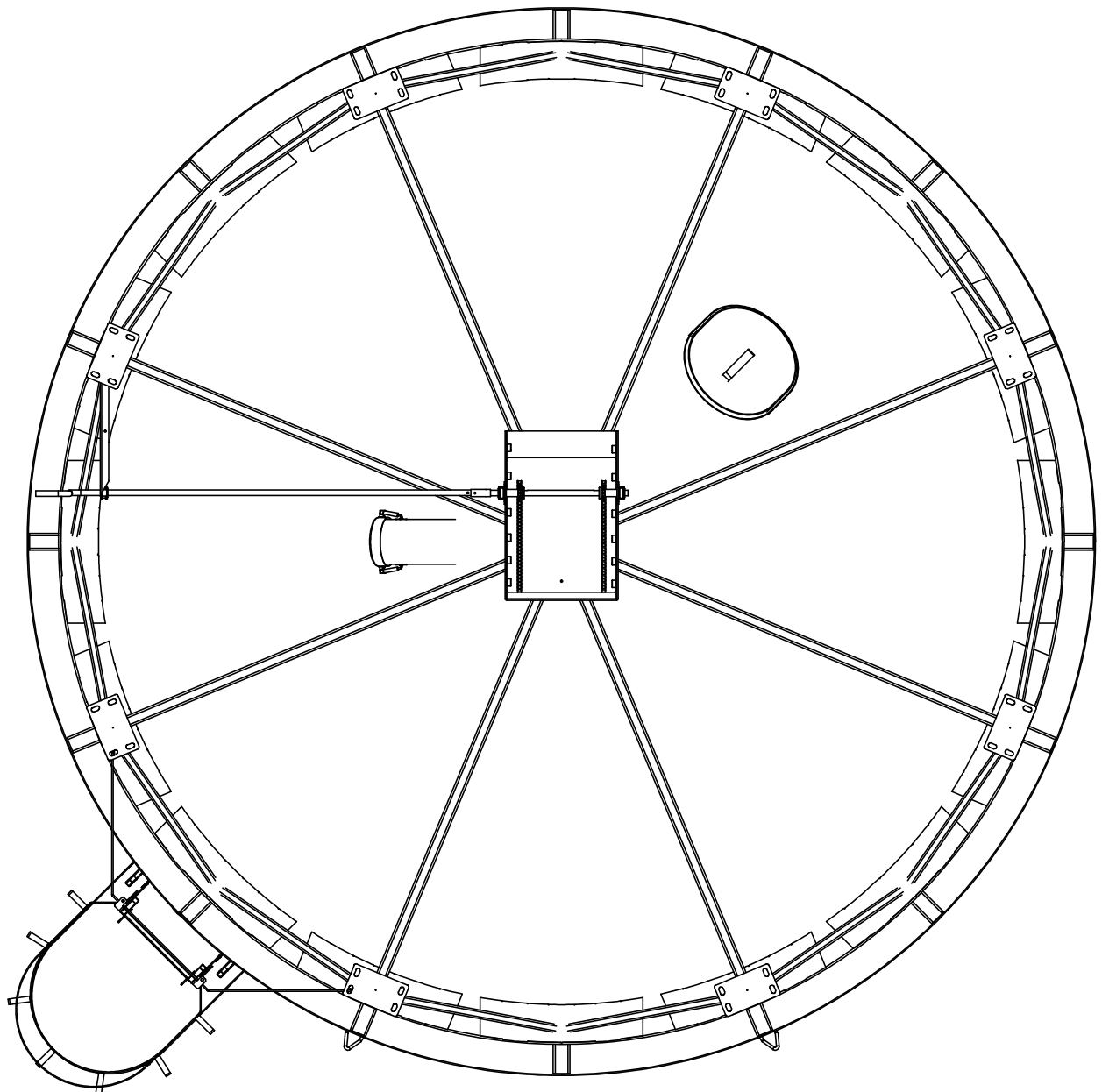
SCALE: WEIGHT: SHEET 1 OF 2

8 7

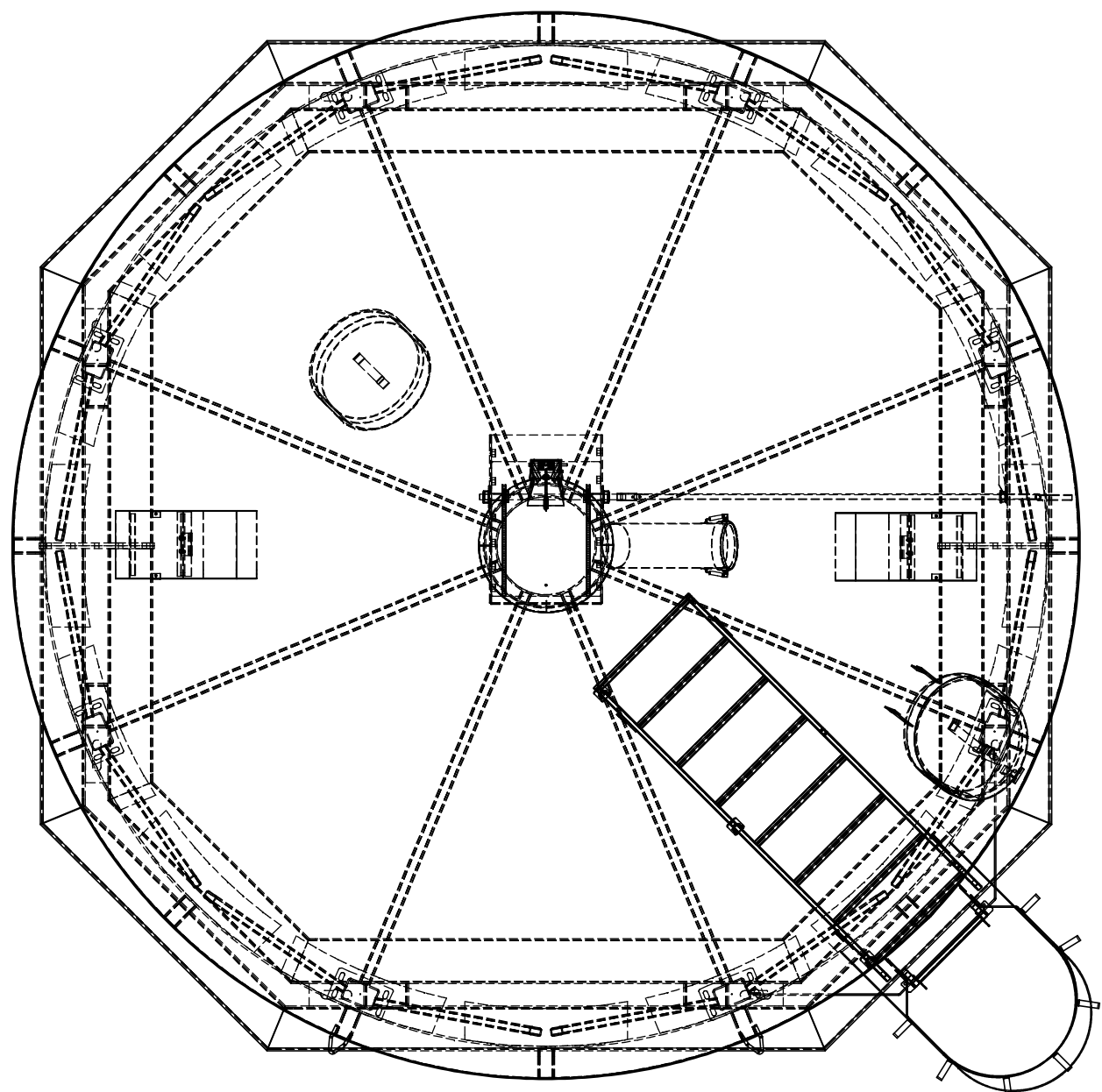
7

8 7 6 5 4 3 2 1

D
C
B
A



**BOTTOM VIEW
FRONT DOWN**



**TOP VIEW
FRONT DOWN
HIDDEN LINE**

PROPRIETARY AND CONFIDENTIAL
THE INFORMATION CONTAINED IN THIS DRAWING IS THE SOLE PROPERTY OF AMBER WAVES INC. ANY REPRODUCTION IN PART OR AS A WHOLE WITHOUT THE WRITTEN PERMISSION OF AMBER WAVES INC. IS PROHIBITED.

	NAME	DATE
DRAWN	BCS	9/2/2015
CHECKED		
MATERIAL		
FINISH		
DIMENSIONS ARE IN INCHES		
TOLERANCES:		
FRACTIONAL	± 1/32"	
ANGULAR: MACH	± .5	BEND ± 2.5
TWO PLACE DECIMAL	± .05"	
THREE PLACE DECIMAL	± .005"	

Amber Waves Inc. Richardton, ND		
DESCRIPTION: 1650 BIN 4800 BSH CAPACITY		
DWG. NO.	REV.	
STANDARD BINDW 1650		
SCALE:	WEIGHT:	SHEET 2 OF 2

8 7 6 5 4 3 2 1