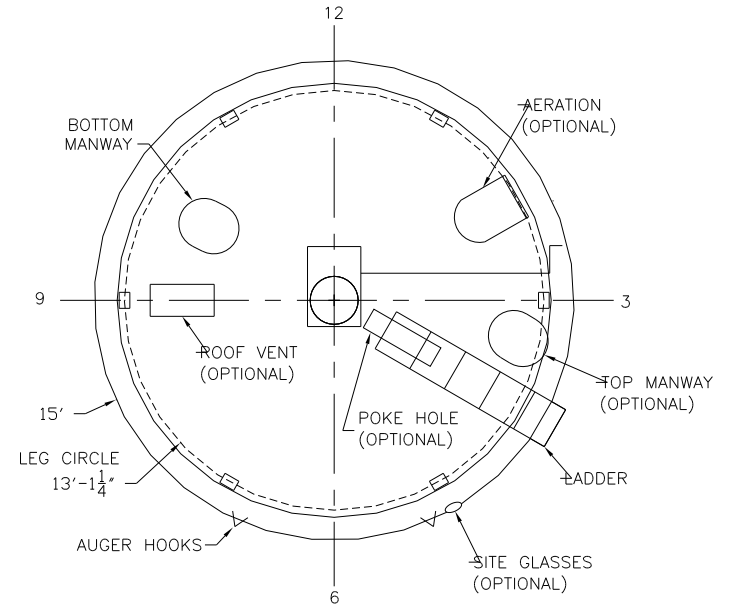


MODEL 1520 SIDE VIEW

SCALE: NTS



ACCESSORIES LOCATIONS

SCALE: NTS

AMBER WAVES, INC. RICHARDTON, ND PH 701-974-4230 FAX 701-974-4231	
15 FT DIA BIN MODEL 1520 SIDE VIEW	
DRAWN: JAH CHK'D: DATE: 3/4/04 SCALE: NTS	SHEET NUMBER <h1 style="text-align: center;">1520</h1>
JOB NUMBER	REVISION NUMBER 0