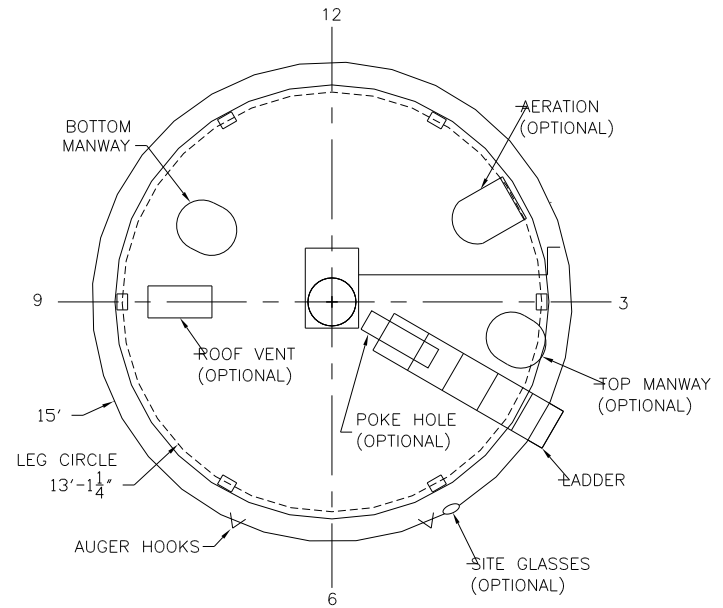


MODEL 1510 SIDE VIEW

SCALE: NTS



ACCESSORIES LOCATIONS

SCALE: NTS

AMBER WAVES, INC.
RICHARDTON, ND
PH 701-974-4230
FAX 701-974-4231

15 FT DIA BIN
MODEL 1510 SIDE VIEW

DRAWN: JAH
CHK'D:
DATE: 11/15/02
SCALE: NTS

SHEET NUMBER

1510

JOB NUMBER

REVISION NUMBER 0